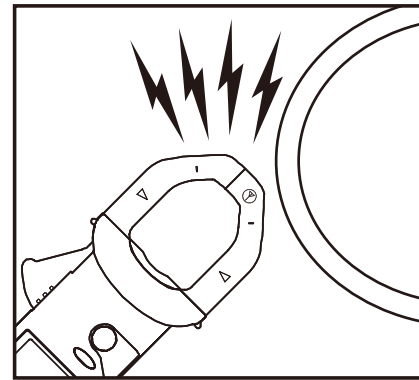


Clamp Meter AC+True RMS

CE

Light Weight 290g
Approx. 30% lighter than our equivalent models



Non contact AC Voltage detection function

DCL1200R

RMS lightweight & DMM functions

- Lightweight approx. 290g
- True RMS
- Large LCD with Backlight
- Easy to use large size data hold button
- AC voltage detection function (EF)
- Auto V / Ω detection
- MAX. 2000A measurable

Display : numeral display 6000

Sampling rate : 5 times / sec.

AC frequency bandwidth : 50 / 60Hz

Safety : IEC61010-2-032 (2002) CATⅢ600V Max.

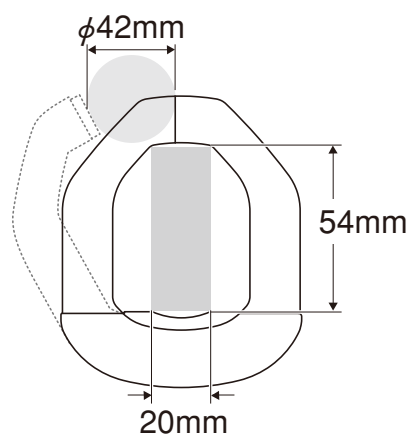


Function	Measuring range	Best accuracy	Resolution
ACA	400/1200A	$\pm(1.7\%+5)$	0.1A
DCV	6/60/600V	$\pm(0.7\%+3)$	1mA
ACV	6/60/600V	$\pm(1.7\%+5)$	1mV
Auto resistance	6k/60k/600k/6M Ω	$\pm(1.2\%+4)$	1 Ω
Resistance	600 Ω	$\pm(2.2\%+8)$	0.1 Ω
Frequency	9.999/99.99/999.9/9.999k/30kHz	$\pm(0.6\%+4)$	0.001Hz
Capacitance	100n/1000n/10 μ /100 μ /2000 μ F	$\pm(3.7\%+5)$	0.1nF
Continuity	Buzzer sounds at between 0 Ω and 155 Ω ($\pm 145\Omega$). Open voltage: approx. 0.4V		
Diode test	Open voltage: approx. 1.6V		
Voltage detection	Buzzer sounds and EF mark displays on LCD. Detection range 15V and over, 50/60Hz		
Bandwidth	ACA: 50/60Hz, ACV: 50~500Hz		
Display	4000		
Withstand voltage	5550VAC		
Battery	R03X2		
Clamp diameter/Conductor	42mm/20X54mm		
Size / Weight	H238XW95XD45mm/290g		
Standard accessories included	Test lead (TL-23), Carrying case, Instruction manual		

Optional accessories

Clip adapter : CL-11, TL-8IC, CL-15

Test lead : TLF-120

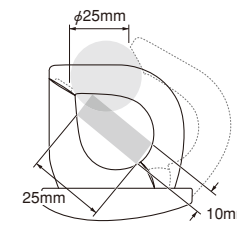


Clamp Meter AC+True RMS

CE



(Backlight ON)



Slim jaws with width of approximately 9mm are used to enable the user to easily clamp the conductive wire under measurement among densely routed conductive wires.

A lever and buttons are laid out in positions where they can be handled with a single hand.

The use of a large data hold button with a good click feel enables the user to press the button even in an overhead or other location where the button is not viewable during measurement and to check the measured value later.

The use of a portrait type LCD with a backlight provided in the lower part allows the user to read the displayed value while holding the meter.

Its rear has been curved so that the clamp meter can be held comfortably in the palm.

DCL10, DCL20R (The picture is actual size.)

DCL20R (with carrying pouch)

RMS mini clamp meter with backlight

- True RMS
- Slim core for narrow space
- Backlight
- Marks to make sure the object is properly clamped
- Data hold
- Auto power off (30min.)

Sampling rate : 2 times / sec.

AC frequency bandwidth : 45~400Hz

Safety : IEC61010-2-032 (2002) CATⅢ300V Max. / CATⅣ600V



Function	Measuring range	Best accuracy	Resolution
ACA	60/300A	$\pm(1.9\%+5)$	0.01A
Bandwidth	50/60Hz, 45~400Hz		
Display	6000		
Clamp diameter/Conductor size	25mm/10X25mm		
Withstand voltage	Less than 3700Vrms		
Battery	R03X2		
Size / Weight	H145XW54XD28mm/approx. 120g		
Standard accessories included	Carrying pouch (C-DCL10), Instruction manual		